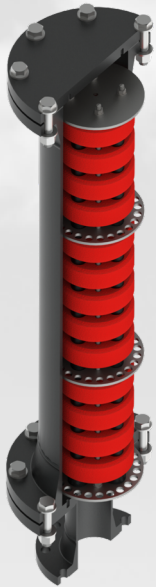


What does the CFD System consist of?



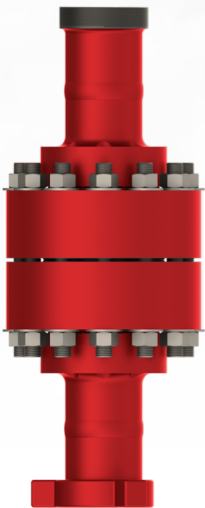
CHARGE FREE STABILIZER™ & CHARGE FREE CONVERSION KIT®

The Charge Free Stabilizer™ is the most versatile suction stabilizer on the market. Utilizing a multi-phase mitigation method, allowing for both compression and kinetic exchange, the CFS was designed for maximum performance and pump isolation. Small, light, and convertible, the Sigma Charge Free Stabilizer™ is an easy retrofit and the only in its industry to utilize the superior performance of the suction Charge Free Conversion Kit®.



CHARGE FREE DAMPENER™ & CHARGE FREE CONVERSION KIT®

The Charge Free Dampener™ from Sigma is the only dampener on the market designed to maximize the proven performance of the Discharge Charge Free Conversion Kit®. The CFD is also the only 10,000 PSI drilling dampener on the market and ready for the future, today. It is small, light, and comes 100% corrosion resistant inside and out. The Charge Free Dampener utilizing the D-CFC Kit eliminates negative energies through both compression and kinetic exchanges delivering unparalleled performance.



ACOUSTIC ASSASSIN®

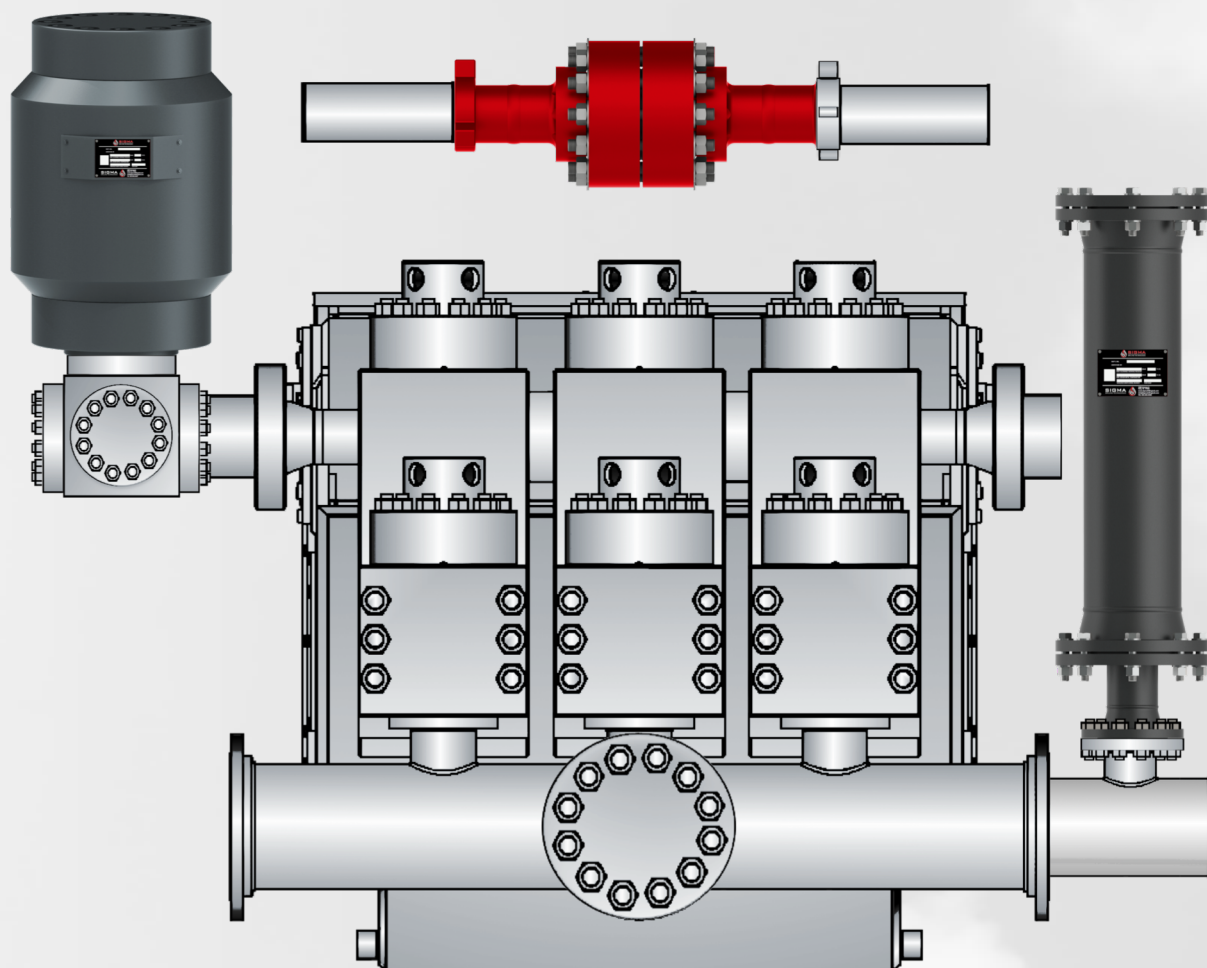
The Acoustic Assassin® is a flow through fixture utilizing proprietary acoustic baffling technology designed to smooth operations of the production line and downhole. The unit solves the operation problems common to reciprocating pumping systems experiencing high frequency acoustic resonance. With the Acoustic Assassin® installed, your system absorbs significantly less energy and will simply last longer and perform better.

SURPASSING ALL OTHERS, WE WILL OUT PERFORM YOUR EXPECTATIONS

Why choose the CFD System?

- 
HIGHEST PRESSURE RATED DRILLING DAMPENING SYSTEM
 At 10,000 PSI, the CFD System far surpasses any pulsation control equipment in the drilling market today.
- 
SMALLEST & LIGHTEST DRILLING DAMPENING SYSTEM
 The most compact drilling dampener system available utilizing both appendage and flow through technologies.
- 
MOST DURABLE DRILLING DAMPENING SYSTEM
 The most protected pulsation equipment available. All fasteners are completely corrosion resistant throughout the entire system. This system includes the only dampener with hidden bolting and a protective coating both inside and out.
- 
ABSOLUTELY NO NITROGEN REQUIRED
 Only dampening system designed to utilize the superior performance of Sigma Drilling Technologies' CFC Kit.

Charge Free Dampening System™



The Charge Free Dampening System™ is the first and only complete dampening system designed for maximum performance and cost savings, it is categorically, the most sophisticated pulsation control available for your rig's pumping operations.

When cost, performance, size and weight are logistic concerns, Sigma's solution is to continue to dominate the industry by introducing the CFD System™. Sigma Drilling Technologies, once again, proves to be the authority on state-of-the-art advancements in pulsation control technologies.

